

Wels, September 08th 2016

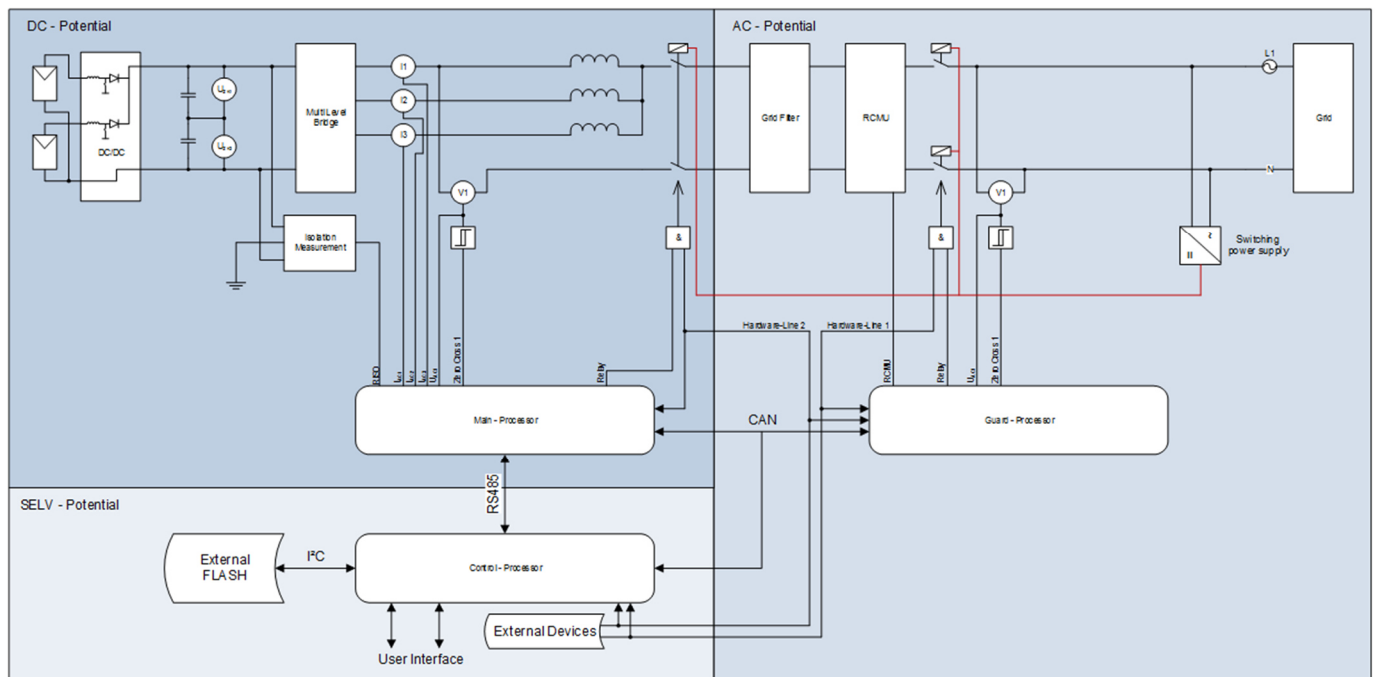
MAINS PROTECTION SCHEME FRONIUS PRIMO US

Fronius International GmbH

The inverters

Fronius Primo 3.8-1 208-240 up to Fronius Primo 15.0-1 208-240

have the following protection scheme. The grid monitoring and disconnection unit within the inverter is single failure safe. Measurement and calculation is redundantly executed (two measurement circuits, two processors). Self-monitoring is performed. The inverter trips if there is a deviation between the two processors.



Fronius International GmbH

Solar Energy Division

Froniusplatz 1

A-4600 Wels



DI Thomas Mühlberger

Head of Solution Management